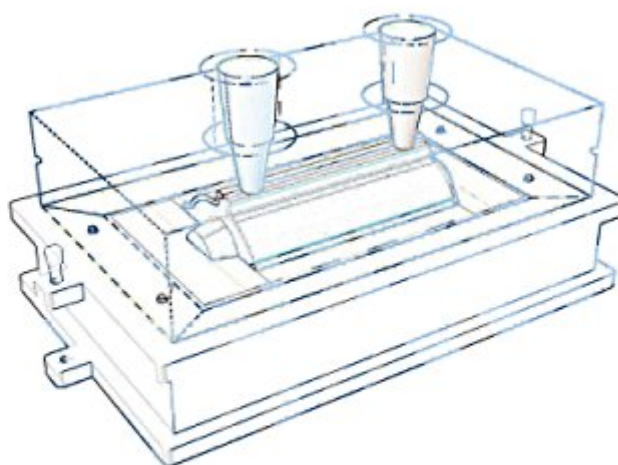


The book was found

# Sand Casting Archive: Bronzecasting.co.uk Files - Information For Artists & Designers (bronzecasting.co.uk Archive Files Book 1)

ANPP  
bronzecasting.co.uk  
archive



sand casting archive

bronzecasting.co.uk website files - information for artists & designers



## Synopsis

The ANPP Sand Casting Archive is a newly revised and re-edited archive collection based on content formerly available in the [bronzecasting.co.uk](http://bronzecasting.co.uk) resource. The Sand Casting Archive offers an window into the techniques, materials and working practices used by dedicated Fine Art Foundries, and their Commercial Foundry counterparts, to produce casts in bronzes and other metals for sculpture, design and architectural features, ideal as a first reference for creative practice - the artist, designer and architect. The contents of the Archive have been compiled to provide the reader with a level of understanding about sand casting that helps them to make cost effective, confident and informed decisions about their casting projects. Used in conjunction with other reference materials, the Archive may also be helpful for use in a practical workshop setting. The contents start with a brief historical overview and information on the casting techniques (past and present) used to produce monumental sculpture. A section on Lost Pattern (Evaporative Foam Casting), then describes the methods and materials used to cast basic 'one off' copies by directly burning off a polystyrene template during a metal pour. More sophisticated sand piece moulding techniques (used to create multiple cast copies of more complex sculptures and designs), are explained in detail with the aid of new 3D CAD illustrations (including exploded and transparent views for clarity). The adaptive moulding methods used by foundries specialising in sculpture casting are contrasted with the high volume technologies of their commercial foundry opposites. The Archive explores respective variations in foundry pattern [sculpture template] design and process materials, as well as production work-flow and moulding technique. Guidance is offered on 'good practice' preparation of art and design works destined for either fine art or commercial sand casting; highlighting both advantages and common pitfalls in order to help readers achieve the best possible outcome for their project. In addition to comprehensive illustrations, flow charts and graphic tables are provided for easy reference. A wide range of casting materials and technologies is introduced in the Archive, in addition to common processes such as green sand and sodium silicate moulding, the potential of alternative sand and other 'rigid moulding' techniques is noted (for example - die casting, plaster mould casting, continuous casting and so on). The ANPP Sand Casting Archive includes an added section that unpacks the detail of Computer Aided Design and Manufacturing (CAD/CAM), and how these technologies have become relevant in the foundry; both for the production of design templates (patterns), and for directly forming moulds in sand for metal casting. A list of tips and hints are provided as a concise reference for artists and designers who are intending to have their work professionally cast. Likewise, a tips and hints are included for those looking to experiment with sand casting themselves. A comprehensive list of keywords and definitions is available, together with

further reading, references and illustrations lists, and an A-Z index. Other archive files from the bronzecasting.co.uk resource are currently being prepared for this series, including collations on Reproduction Moulding, Lost Wax (Investment) Casting, Metals & Alloys, Welding & Metal Finishing and other topics relating to sculpture and design making.

## Book Information

File Size: 5923 KB

Publisher: Arte Nero Publishing Project (ANPP); 1 edition (June 13, 2016)

Publication Date: June 13, 2016

Sold by: Digital Services LLC

Language: English

ASIN: B01H1K38DM

Text-to-Speech: Not enabled

X-Ray: Not Enabled

Word Wise: Not Enabled

Lending: Not Enabled

Enhanced Typesetting: Not Enabled

Best Sellers Rank: #1,166,664 Paid in Kindle Store (See Top 100 Paid in Kindle Store) #138

in Kindle Store > Kindle eBooks > Arts & Photography > Art > Sculpture #148 in Books > Arts & Photography > Sculpture > Technique #256 in Kindle Store > Kindle eBooks > Crafts, Hobbies & Home > Crafts & Hobbies > Metal Work

[Download to continue reading...](#)

Sand Casting Archive: bronzecasting.co.uk Files - Information for Artists & Designers

(bronzecasting.co.uk Archive Files Book 1) Heraldry: A Pictorial Archive for Artists and Designers

(Dover Pictorial Archive) Live Sand Secrets: A Dialog on Living Sand Filtration Plants and Flowers:

1761 Illustrations for Artists and Designers (Dover Pictorial Archive) Society of Publication

Designers: 34th Publication Design Annual (Society of Publication Designers' Publication Design

Annual) (Vol 34) Grid Systems in Graphic Design: A Visual Communication Manual for Graphic

Designers, Typographers and Three Dimensional Designers (German and English Edition) Thinking

with Type: A Primer for Designers: A Critical Guide for Designers, Writers, Editors, & Students

Handbuilt Ceramics: Pinching \* Coiling \* Extruding \* Molding \* Slip Casting \* Slab Work( A Lark

Ceramics Book) Rendering in Pen and Ink: The Classic Book On Pen and Ink Techniques for

Artists, Illustrators, Architects, and Designers American Showcase: Artists'

Representatives/Illustrators & Designers, 23rd Edition, Book 1 & 2 (SET) (200 Best Illustrators Worldwide) (No. 23) Casting Off (Cazalet Chronicle) (Volume 4) Casting Shadows: Creating Visual Dimension in Your Quilts Rod-Building Guide: Fly, Spinning, Casting, Trolling Meeting the Ethical Challenges of Leadership: Casting Light or Shadow Odin's Gateways: A Practical Guide to the Wisdom of the Runes Through Galdr, Sigils and Casting Handbook of Splinting and Casting: Mobile Medicine Series, 1e Prop Bldr'S Molding & Casting Sculpture Casting: Mold Techniques and Materials: Metals, Plastics, Concrete Advanced Mouldmaking and Casting The Secrets of Bronze Casting

[Dmca](#)